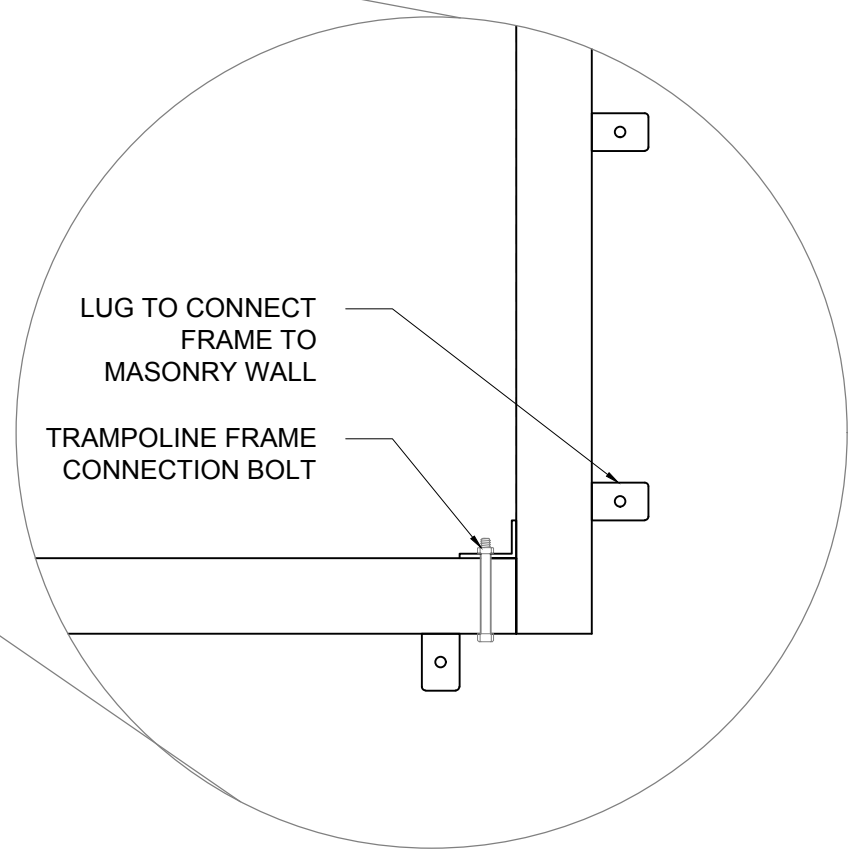
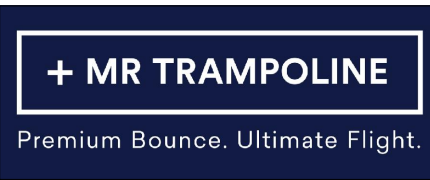


TRAMPOLINE SIZE	TRAMPOLINE FRAME (OVERALL) **		TRAMPOLINE FRAME (INTERNAL)		PIT DIMENSIONS (INTERNAL)	
	A	B	C	D	E	F
MINI-CUBE 5	2000	2000	1900	1900	1900	1900

** TRAMPOLINE FRAME OVERALL DIMENSIONS ARE ALWAYS QUOTED FOR INDIVIDUAL SIZE

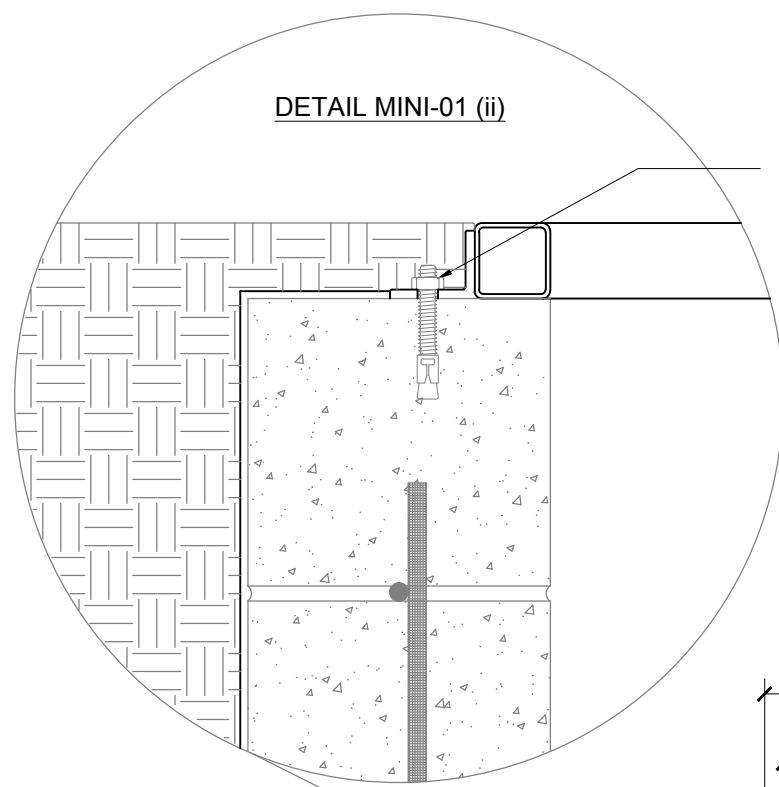


DESIGNED	AR	NOTE: ISSUE FOR CONSTRUCTION
CAD DRAWN	WC	
DRAFTING CHECK	WC	
DESIGN APPROVED	AR	

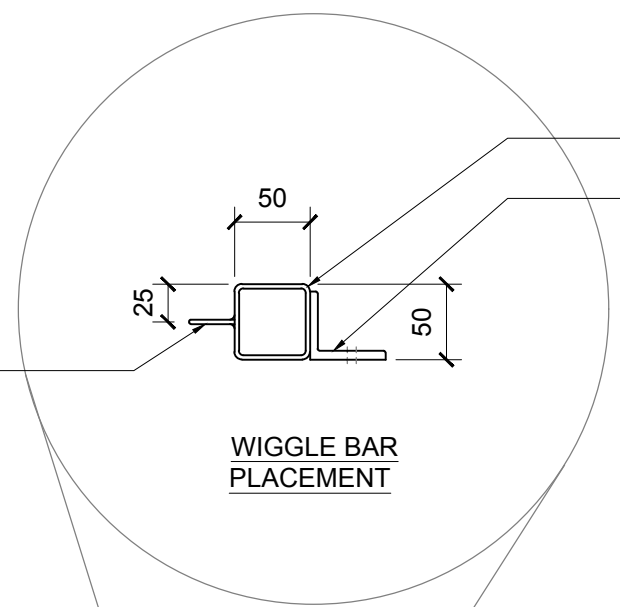


JOB	MINI-CUBE 5 OVER STRUCTURAL WALL	
TITLE	MINI-CUBE 5 MODEL PLAN VIEW	

PAPER	A3	REV. 1 ET	DATE 25/03/22
SCALE	1:20		
DRAWING NUMBER		REV	
MINI-01		1	



FRAME FIXED DIRECTLY TO
RETAINING WALL USING
M12 x 100 TRU-BOLTS



50 x 50 x 3mm RHS
50 ANGLE FOR FIXING TO
TRAMPOLINE PIT WALL

IF FABRICATING OWN FRAME:
WELD WIGGLE BAR TO
CENTRE OF STEEL FACE

WIGGLE BAR
PLACEMENT

A (FRAME OVERALL - SEE MINI-01)
C (FRAME INTERNAL - SEE MINI-01)
E (PIT INTERNAL - SEE MINI-01)

TRAMPOLINE FRAME
FRAME FIXED DIRECTLY TO
RETAINING WALL USING
M12 x 100 TRU-BOLTS

GROUND LEVEL

STEEL REINFORCED
SOLID MASONRY
BLOCK WALL
WATER-PROOFING /
TANKING LAYER IF
REQUIRED
CONCRETE FOOTING
(DETAIL BY OTHERS)

FALL TO PIT BASE 1:100 MIN.

800 (MIN.)

DRAINAGE MECHANICAL OR NATURAL
(DETAIL BY OTHERS)

B
MINI-01

SECTION: MASONRY BLOCK RETAINING WALL DESIGN FOR MINI-CUBE MODEL TRAMPOLINE

DESIGNED	AR	NOTE: ISSUE FOR CONSTRUCTION
CAD DRAWN	WC	
DRAFTING CHECK	WC	
DESIGN APPROVED	AR	

+ MR TRAMPOLINE
Premium Bounce. Ultimate Flight.

JOB	MINI-CUBE 5 OVER STRUCTURAL WALL
TITLE	MINI-CUBE 5 MODEL STRUCTURAL WALL - SIDE SECTION

PAPER	A3	REV. 1 ET	DATE 25/03/22
SCALE	DO NOT SCALE		
DRAWING NUMBER		REV	
MINI-02		1	